



## TECHNICAL DATA SHEET

High Intensity LED Agricultural Lights



**Dominator increases the potency, taste, aroma, quality, overall size and density of indoor crops by creating the right type of light!**

### TECHNICAL DATA

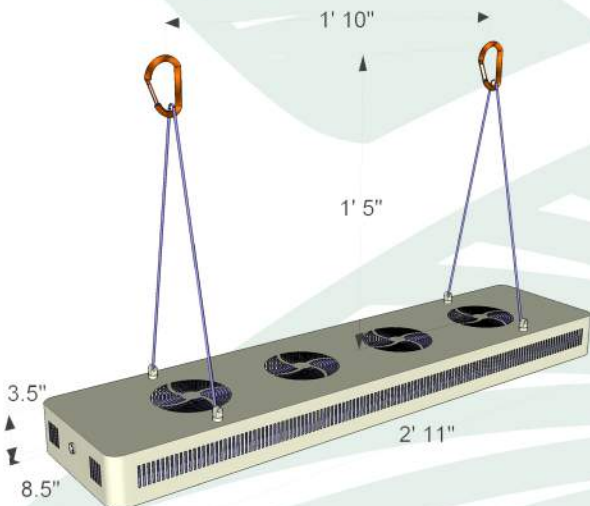
Dimensions: Width 8 ½"  
Length 35"  
Height 3 ½"

LED qty: 200  
LED angle: 60° & 90°  
Spectrum: UV to IR  
Power: 50/60 Hz  
435 watts  
3.6/1.8amps  
120/240 volts

Weight: 19.6 lbs  
Requires a 5" minimum clearance on all sides

### FEATURES

- Easy plug and play installation.
- Lifetime expectancy up to 50,000 hours.
- Powerful 435w LED grow light to replace top of the line 1000w Metal Halide grow light.
- 60° & 90° lenses direct light downward, eliminating the need for extra reflecting materials.
- Low heat emissions eliminate the need for excessive cooling and ventilation cost.
- Low radiant and ambient temperatures reduce de-humidification costs.
- Eco-friendly: Mercury free.
- Safe: Reduces risk of fire.
- Slender design allows for more growing area.
- Internal cooling fans and large aluminum heat sink plate keeps units below 100°F.
- Mounting hardware included.
- Tempered steel construction, built to last.
- 90 day money back guarantee.
- 3 Year manufacturer's warranty.



## DESCRIPTION

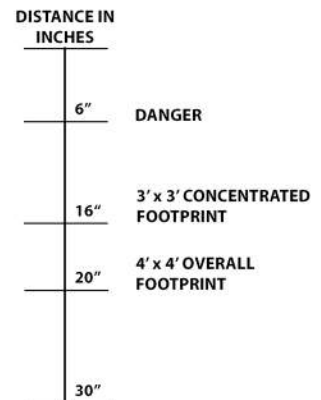
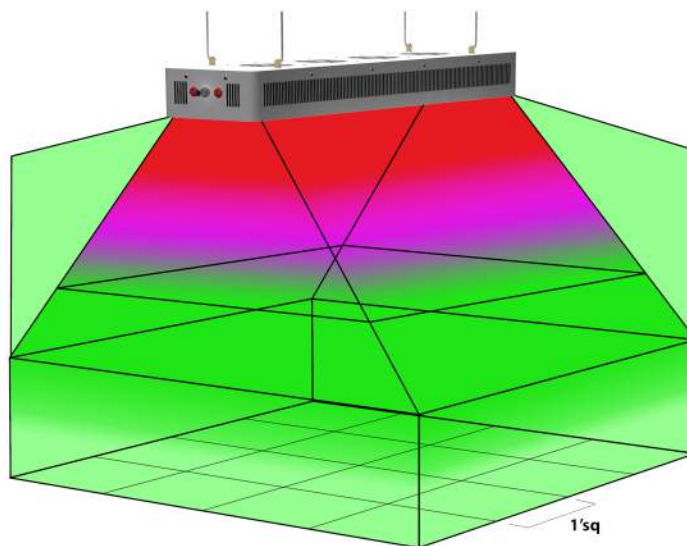
Dominator is an innovative high intensity LED grow light designed specifically to fuel the entire photosynthesis process. Each Dominator produces 20% more overall light and 50% more energetic light than 1000w HPS fixtures. This type of light will fuel your plants with the same highly energetic photons that come from the sun. You can trust Lush Lighting to always grow larger crops than HPS. Near UV light is used to stimulate more resin production while helping boost plants' natural immune system. We have also increased the available photons to carotenes for an increase in terpene production. Providing your garden with the energy it needs will reward you with a bigger, healthier and more nutritious crop! Lush Lighting products have a low heat signature, high efficiency rating and built to last for a decade! We want to see you succeed! We build the best agricultural grow lights on the market for your peace of mind! Stop worrying about HID, LED is safer! Dominator is the best way to increase the level of photosynthetic activity on your plants. LED is not just about saving costs, we're growing larger crops for you to increase your revenue too!

## APPLICATION NOTES

- Designed specifically to fuel flowering photosynthesis process.
- Keep 20" above plants at all times.
- Max coverage over 4' x 4' area.
- Intense coverage over 3' x 3' area.
- Optimal coverage over 4' x 3' area.
- Dry locations only.
- Soil, Aero or Hydroponic gardens.
- Operating open-air ambient temperature range for rated life is 65°F to 90°F.
- Humidity range for rated life is between 10% and 60%.
- Horizontal and Vertical gardens.
- Grows tents and large green houses.
- Difficult areas like corners and closets.

DISTANCE	LUMENS	Par $\mu$ mole
12"	40,000	950
18"	28,000	650
24"	20,000	480
30"	15,500	370
36"	10,000	200

LUMENS	PARS
95,000	1,350
28,000	650
20,000	480
15,500	370



<span style="color: red;">●</span> GREATER THEN DIRECT SUNLIGHT	<span style="color: green;">●</span> INDIRECT SUNLIGHT
<span style="color: purple;">●</span> DIRECT SUNLIGHT	<span style="color: lightgreen;">●</span> SUPPLEMENTAL LIGHT